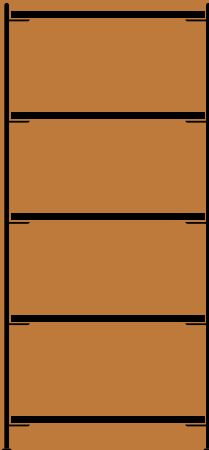


& Tradition

Alima NDS4 – NDS6

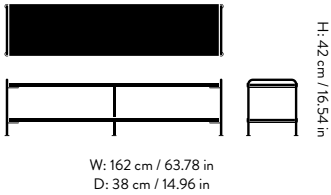
Note Design Studio
2026



Alima^{NDS4}

Note Design Studio

2026



Product description
Shelving, 2 shelves

Environment
Indoor

Material
Steel frame, wood veneer shelves with solid wood edges

Production process
The shelving's frame is made of bent and welded steel tubes. The wooden shelves are made of a veneer plate and milled edges in solid wood.

Variants
Lacquered Walnut Shelf Chrome Frame
Lacquered Oak Shelf Chrome Frame

Dimensions
W: 162 cm / 63.78 in
D: 38 cm / 14.96 in
H: 42 cm / 16.54 in
Shelf D: 35 cm / 13.78 in
Shelf L: 156 cm / 61.42 in

Weight
19 kg

Strength, durability and safety testing
EN 16139 Level 2
EN 16121 Level 2
EN 14749
BIFMA X5.9

Certifications



FSC® 100%

Impact

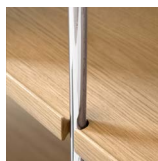
- Arrives flat-packed, helping optimise shipping and delivery.
- Designed for circularity, making it easier to repair, renovate, and responsibly recycle at end-of-life.

Manufacturer

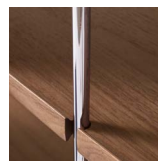
Produced in PRC by NUSH

Cleaning Instructions

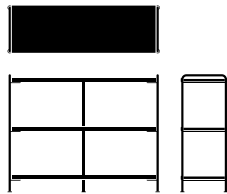
Please see our [Maintenance & Care instructions here](#)



→ Chrome & Oak



→ Chrome & Walnut



W: 123 cm / 48.43 in
D: 38 cm / 14.96 in

H: 95 cm / 37.40 in

Alima^{NDS5}

Note Design Studio

2026

Product description

Shelving, 3 shelves

Environment

Indoor

Material

Steel frame, wood veneer shelves with solid wood edges

Production process

The shelving's frame is made of bent and welded steel tubes. The wooden shelves are made of a veneer plate and milled edges in solid wood.

Variants

Lacquered Walnut Shelf Chrome Frame
Lacquered Oak Shelf Chrome Frame

Dimensions

W: 123 cm / 48.43 in
D: 38 cm / 14.96 in
H: 95 cm / 37.40 in
Shelf D: 35 cm / 13.78 in
Shelf L: 118 cm / 46.46 in

Weight

24 kg

Strength, durability and safety testing

EN 16121 Level 2
BIFMA X5.9
EN 14749

Certifications



FSC® 100%

Impact

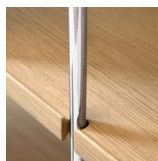
- Arrives flat-packed, helping optimise shipping and delivery.
- Designed for circularity, making it easier to repair, renovate, and responsibly recycle at end-of-life.

Manufacturer

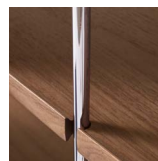
Produced in PRC by NUSH

Cleaning Instructions

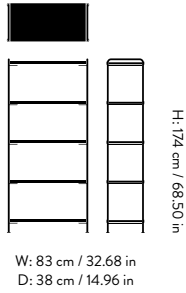
[Please see our Maintenance & Care instructions here](#)



→ Chrome & Oak



→ Chrome & Walnut



Alima^{NDS6}

Note Design Studio

2026

Product description

Shelving, 5 shelves

Environment

Indoor

Material

Steel frame, wood veneer shelves with solid wood edges

Production process

The shelving's frame is made of bent and welded steel tubes. The wooden shelves are made of a veneer plate and milled edges in solid wood.

Variants

Lacquered Walnut Shelf Chrome Frame
Lacquered Oak Shelf Chrome Frame

Dimensions

W: 83 cm / 32.68 in
D: 38 cm / 14.96 in
H: 174 cm / 68.50 in
Shelf D: 35 cm / 13.78 in
Shelf L: 78 cm / 30.71 in

Weight

28 kg

Strength, durability and safety testing

EN 16121 Level 2
BIFMA X5.9
EN 14749

Certifications



FSC® 100%

Impact

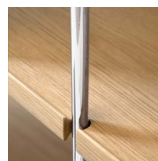
- Arrives flat-packed, helping optimise shipping and delivery.
- Designed for circularity, making it easier to repair, renovate, and responsibly recycle at end-of-life.

Manufacturer

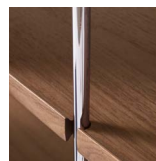
Produced in PRC by NUSH

Cleaning Instructions

Please see our [Maintenance & Care instructions here](#)



→ Chrome & Oak



→ Chrome & Walnut

Recycling & Disassembly

Alima NDS4 & NDS5

Recycling

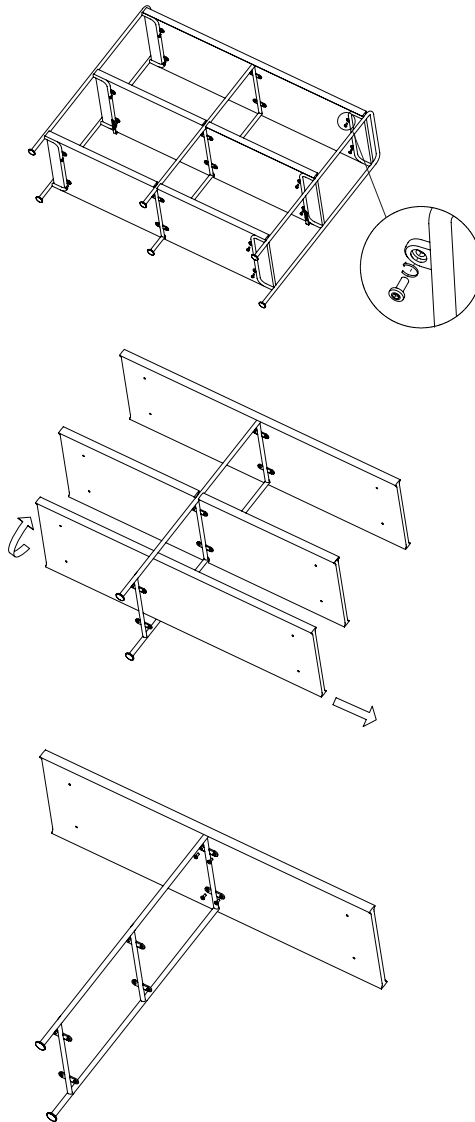
The Alima NDS4 & NDS5 are built to last, and we hope that they will serve you for many years. They are made from wood and metal and can be easily separated into components before being delivered to a suitable recycling station.

Spare parts

To purchase spare parts for your Alima NDS4 or NDS5, please write to our sales support team at info@andtradition.com with your query.

5 year warranty

&Tradition provides a 5-year warranty with every Kape chair. This warranty covers any faults present at the time of purchase, or those that may have occurred as a result of a manufacturing defect. The warranty is valid from the date stated on the original invoice.



Disassembly

1. Start by removing the screws that connect the two side frames to the shelves. Separate the side frames from the shelves.

2. Next, remove the screws that secure each shelf to the middle frame. Start with the bottom and middle shelves.

To separate the shelves from the middle frame, gently press on one of the sides to tilt the shelf at an angle, then slide it out.

3. Finally, remove the screws holding the top shelf in place.

Recycling & Disassembly

Alima NDS4 & NDS5

Recycling

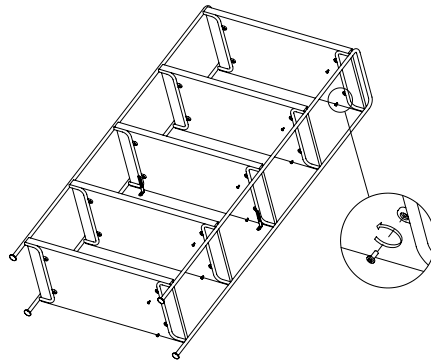
The Alima NDS6 is built to last, and we hope it will serve you for many years. It is made from wood and metal and can be easily separated into its components before being delivered to a suitable recycling station.

Spare parts

To purchase spare parts for your Alima NDS6, please write to our sales support team at info@andtradition.com with your query.

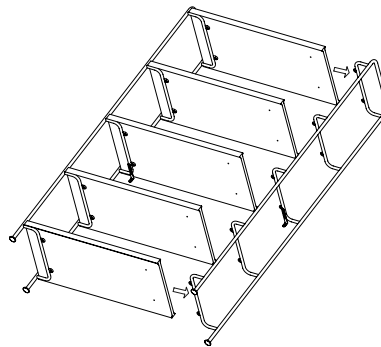
5 year warranty

&Tradition provides a 5-year warranty with every Kape chair. This warranty covers any faults present at the time of purchase, or those that may have occurred as a result of a manufacturing defect. The warranty is valid from the date stated on the original invoice.

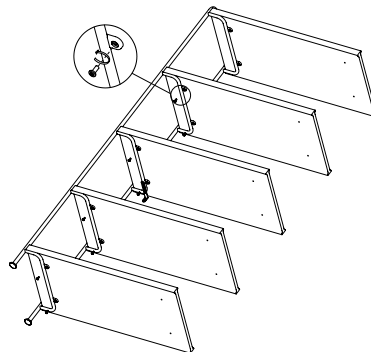


Disassembly

1. Start by removing the screws that connect one of the side frames to the shelves.



2. Separate the frame from the shelves.



3. Finally, remove the screws that connect the shelves to the other frame and separate.